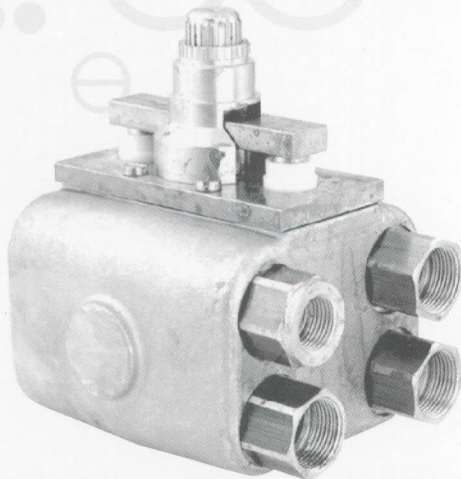
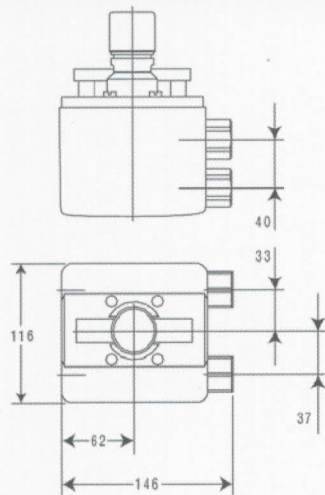


5193 Pressure Balanced Thermostatic High Flow 3/4" Mixing Valve (With Fixed Temperature Knob)

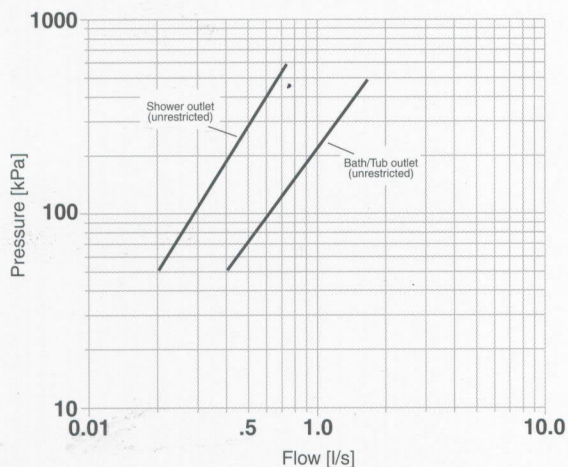


5193 PBT High Flow 3/4" Mixing Valve



Flow Diagram

Pressure drop graph



APPLICATION

Suitable for hospitals, nursing homes, child care centres, multi pointing bathroom outlets, disabled facilities, large spa pools, gymnasiums, photo labs, hair dressing salons or food processing. For use anywhere a constant temperature is required.

INSTALLATION

Comes with 20mm hot and cold inlets with dual outlets 1x15mm and 1x20mm. This unit must have flow control devices fitted between it and each outlet.

FEATURES

- Thermostatic temperature control and pressure balancing control in one cartridge.
- Lock shield temperature knob for fixed temperature installation.
- Capable of delivering high volumes of tempered water.
- No more unpleasant showers, always a constant temperature + or - 1°C.
- Factory pre-set to 38°C (can be re-calibrated by plumber).
- Comes with check valves and line strainers built into the isolating valves supplied with the valve.
- Operates from Min 50kPa to Max 1000kPa.
- Recommended working pressure 100kPa to 500kPa.
- 10 year warranty on cartridge.
- Made in Sweden.

OPTIONS

Wall mounted stainless steel bracket.
Refer to Optional Items and Accessories for details.

COLOURS

Raw brass

APPROVALS AS4032 & NSW HEALTH DEPARTMENT

Manufactured in DR brass

CODES

5193-8070

* Bath/Shower/Basin/Multi-Point Application

| Flow Table | | |
|---------------|--------------------------|------------------|
| Pressure(kPa) | 15mm Outlet Flow (L/min) | 20mm Outlet Flow |
| 100 | 17 | 36 |
| 200 | 24 | |
| 300 | 29.5 | 75 |
| 400 | 34 | |
| 500 | 38 | 97.5 |
| 600 | 41.5 | |