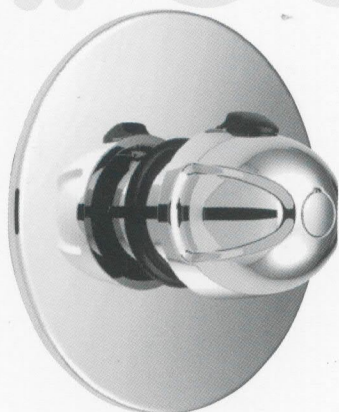


# 9219 Pressure Balanced Thermostatic Mixer

(With Adjustable Temperature / Without Flow Control)



## APPLICATION

Suitable for domestic housing-multi pointing bathroom outlets, photo labs, hair dressing salons or food processing. For use anywhere a constant temperature is required.

## INSTALLATION

Model 9219 is supplied with brackets for concealed installation but can be surface mounted using our surface mounting bracket Code 5190-0005 (not supplied with unit). Comes with dual G1/2" inlets and outlets. Wall-plate 130mm diameter. This unit must have flow control devices fitted between it and each outlet.

## FEATURES

- Thermostatic temperature control and pressure balancing control in one cartridge.
- Adjustable temperature.
- "Child" safety lock prevents unintentional temperature increases.
- No more unpleasant showers, always a constant temperature + or - 1°C.
- Factory pre-set to 38°C (can be recalibrated by plumber).
- Comes with check valves and line strainers.
- Operates from Min 50kPa to Max1000kPa.
- Recommended working pressure 100kPa to 700kPa.
- 10 year warranty on cartridge.
- Made in Sweden.

## OPTIONS

Available with fixed temperature handle Ref Code 5190-8070. Stainless steel surface mounting bracket available on request. Refer to Optional Items and Accessories for details.

## COLOURS

Chrome

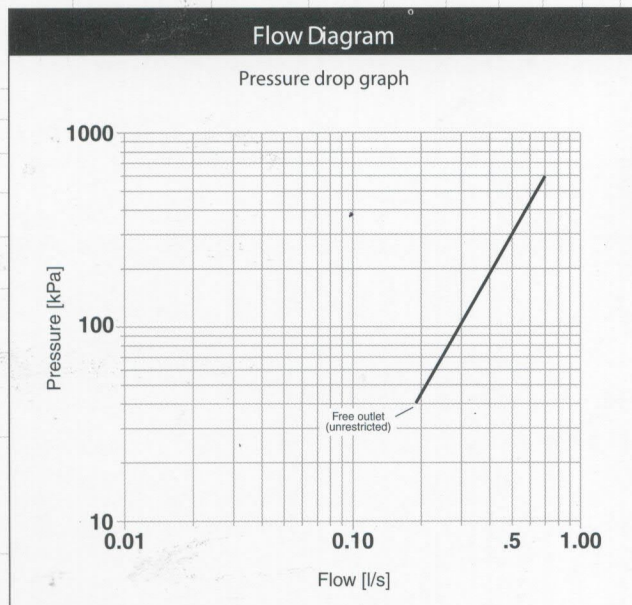
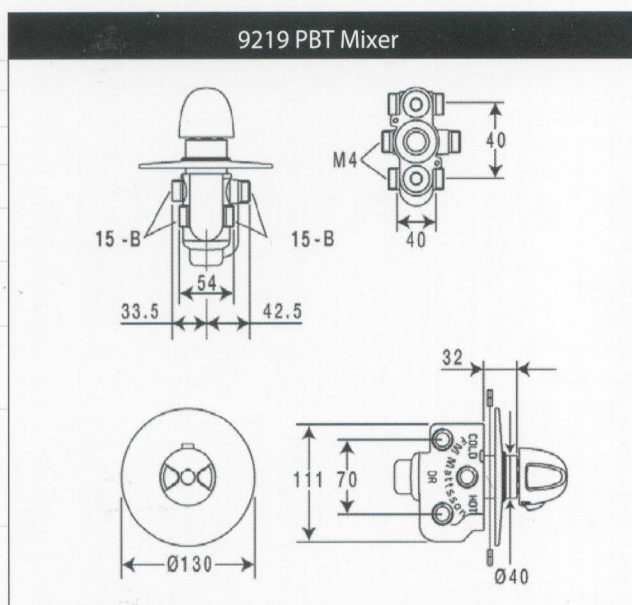
## APPROVALS AS4032

Manufactured in DR brass

## CODES

9219-7070

\* Bath/Shower/Basin/Multi-Point Application



Flow Table	
Pressure(kPa)	Flow (l/min)
100	17
200	24
300	30
400	34.5
500	39
600	42.5



T: (03) 9399 8444 F: (03) 9399 8446 E: sales@magriffith.com.au W: www.magriffith.com.au

**FM Mattsson**  
- Different on the inside  
Technical Specifications