

ST-2010-A-1.28

Vitreous China Rear Spud Water Closet

DESCRIPTION

Complete vitreous china rear spud water closet.

Flush Cycle

Model ST-2010-A-1.28 (1.28 gpf/4.8 Lpf)

Code: 2102010



SPECIFICATIONS

Water Closet

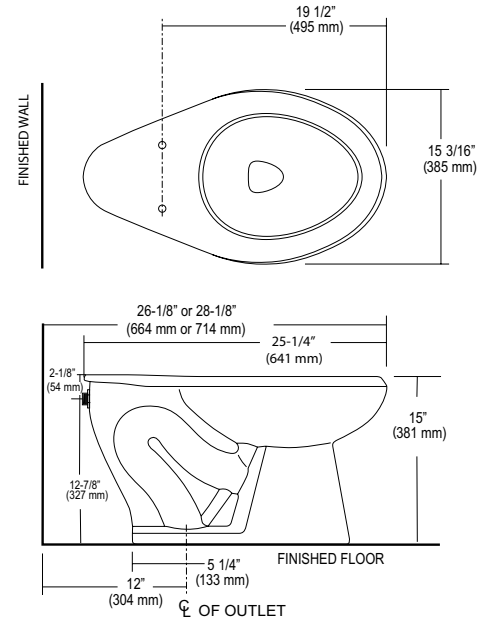
- Vitreous china
- Floor mounted
- Siphon jet flushing action
- 1 ½" I.P.S. rear spud inlet
- 2 1/8" trapway diameter
- Fully glazed trapway
- Toilet seat not included
- Integral flushing rim
- Elongated bowl
- Water spot area 9 1/2" x 7 3/8"
- Closet bolts and caps included
- Water closet compliant to the applicable sections of ASME A112.19.2/CSA B45.1

Colors/Finishes

- White

Recommended Seats

- Bemis - 1955CT/1955SSCT & 2155CT/2155SSCT
- Church - 295CT/295SSCT & 2155CT/2155SSCT



NOTE: All vitreous china dimensions shown in these drawings are nominal. Dimensions can vary within the tolerances established in the governing ASME A112.19.2/CSA B45.1 standard. Please take this into consideration when planning rough-in and plumbing layouts.

Product Specification

Elongated water closet shall be made of vitreous china with a 1 ½" rear spud. Water Closet shall use 1.28 gpf/4.8 Lpf. Water Closet shall be floor mounted. Water Closet shall be Sloan Model ST-2010-A-1.28.

NOTE: Plumbing System Requirements

- ✓ Minimum Flowing Pressure: 25 PSI
- ✓ Maximum Fixture Static Pressure: 80 PSI
- ✓ Minimum Flow Rate: 18 GPM



This space for Architect/Engineer approval	
Job Name	Date
Model Specified	Quantity
Variations Specified	
Customer/Wholesaler	
Contractor	
Architect	

SLOAN®

Sloan Valve Company
 10500 Seymour Avenue,
 Franklin Park, IL 60131
 Phone: 1-800-9-VALVE-9 (982-5839)
 or 1-847-671-4300
 Fax: 1-800-447-8329 or 1-847-671-4380
 www.sloanvalve.com

Copyright © 2013 Sloan Valve Company
 ST-2010 10-13