



Efficiency Series

Model  
**ST-2052-A-1.6/1.1**  
 Dual Flush Vitreous China Water Closet

**DESCRIPTION**

Complete HET elongated Dual Flush Vitreous China Wall Hung Water Closet.

**Flush Cycle**

Model ST-2052-A Dual Flush Wall Mount  
 (Full Flush 1.6 gpf/6.0 Lpf,  
 Reduced Flush 1.1 gpf/4.2 Lpf)



**SPECIFICATIONS**

**Water Closet**

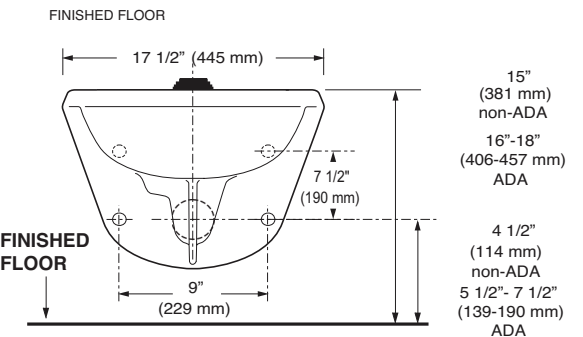
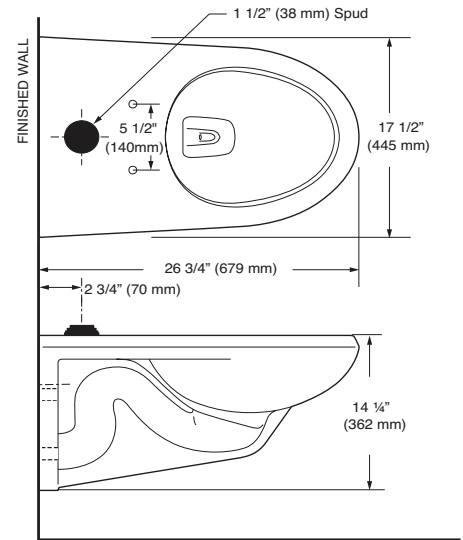
- Dual flush
- Wall hung vitreous china
- Elongated bowl
- Siphon jet flushing action
- 1 1/2" I.P.S. top spud inlet
- 2 1/8" fully glazed trapway diameter
- Mounting hardware, carrier and toilet seat not Included
- Integral flushing rim
- Water spot area 9 1/2" x 8 1/4"
- ASME A112.19.2/CSA B45.1

**Colors/Finishes**

- White

**Recommended Accessories**

- Compatible with toilet seat models:  
 Olsonite 10CT  
 Bemis 1955 CT  
 Church Commercial 295CT
- Compatible with carrier model:  
 Jay R. Smith 0210Y-M54



Designed to Meet ADA standards  
 when bowl is 17" - 19" high including seat

**Product Specification**  
 Elongated wall hung water closet shall be made of vitreous china with a 1 1/2" top spud. Bowl shall be ADA compliant when installed at required height of 17"-19" from floor to top of fixture (including seat). Water Closet shall be dual flush 1.6 / 1.1 gpf. Water Closet shall be Sloan Model ST-2052-A-1.6/1.1.

Meets the American Disabilities Guidelines and ANSI A117.1 requirements when installed according to these requirements.



NOTE: Plumbing System Requirements

- ✓ Minimum **Flowing** Pressure: 25 PSI
- ✓ Minimum Flow Rate: 18 GPM

This space for Architect/Engineer approval	
Job Name	Date
Model Specified	Quantity
Variations Specified	
Customer/Wholesaler	
Contractor	
Architect	



**SLOAN**

Sloan Valve Company  
 10500 Seymour Avenue,  
 Franklin Park, IL 60131  
 Phone: 1-800-9-VALVE-9 (982-5839)  
 or 1-847-671-4300  
 Fax: 1-800-447-8329 or 1-847-671-4380  
 www.sloanvalve.com

Copyright © 2010 Sloan Valve Company  
 Rev. 0c (06/10)