

MAG

Electronic Trap Priming System & Hot Water Flushing System

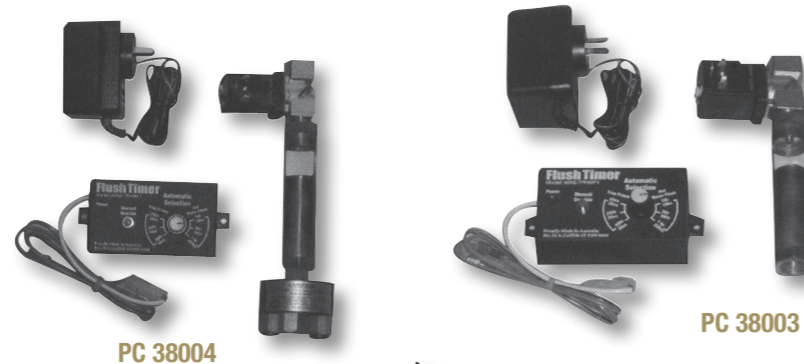
MAG-MIFAB

Trap Priming Valves

MAG Electronic Trap Priming System

Automatically Maintains a Constant Water Seal in Traps

- > Primes 1-10 traps
- > Available in steel lockable cabinet
- > Supplied with vacuum breaker
- > 24 volt solenoid valve
- > Working pressure 100kpa - 600kpa
- > Primary assembly to be mounted, minimum 300mm above finished floor or ceiling space



PC 38004

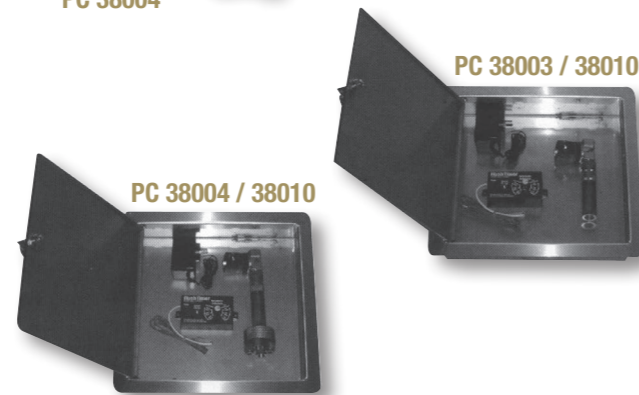
PC 38003

MODELS AVAILABLE

| Product Code | Description |
|--------------|--|
| No. 38003 | Mag Electronic Single Trap Priming System |
| No. 38004 | Mag Electronic Multi (4) Trap Priming System |
| No. 38005 | Mag Electronic Multi (6) Trap Priming System |
| No. 38006 | Mag Electronic Multi (10) Trap Priming System |

OPTIONAL VARIATION

- 38010 Steel Cabinet



PC 38004 / 38010

PC 38003 / 38010

MAG Electronic Hot Water Flushing System

MODELS AVAILABLE

| Product Code | Description |
|--------------|---|
| No. 38001 | Mag Electronic Hot Water Flushing System |
| No. 38002 | Mag Electronic Hot Water Flushing System in Steel Cabinet |



'Automatically flushes hot water down waste pipes to prevent grease build up, as required for Coles, Safeway & Woolworths'



Features:

1. 24 hour timer control with manual override.
2. Timing - open for 20 seconds every 1 to 3 hours (can be adjusted to suit).
3. Inlet and outlet 12mm copper pipe.
4. 24 volt solenoid valve.
5. Working pressure Min 100 kPa - Max 600 kPa
6. The Hot Water Flushing System must be mounted Min 300mm above the finished floor.

PROVIDES A CONSTANT WATER SEAL IN FROM 1-10 FLOOR DRAIN TRAPS



FUNCTION

The priming valve is automatically activated when it senses a pressure drop of 21kPa (3psi). The minimum line pressure is 140kPa - max 560kPa (20psi to 80psi).

- > No adjustments required
- > No air precharge is required
- > Supplied with sediment filter
- > Fully serviceable
- > Australian Standards Approved Lic No IPO82
- > Complies to AS/NZS4020

HOW TO SPECIFY

SINGLE FLOOR DRAIN TRAP

MAG-MIFAB MR-500 / MRA500 Trap Priming Valve

With the pressure drop of 21kPa (3psi), replaceable sediment filter, cartridge tubes to be interchangeable, air gap to have 4 holes, with no air precharge.

MULTI FLOOR DRAIN TRAP

MAG-MIFAB MI-500 / MIA500 Trap Priming Valve

With the pressure drop of 21kPa (3psi), replaceable sediment filter, cartridge tubes to be interchangeable, air gap to have 4 holes, with no air precharge.

| | | |
|------------|---------------|---------------------------|
| 2-4 Traps | Specify One | MAG-MIFAB MI DU 2/4 UNIT |
| 4-8 Traps | Specify Two | MAG-MIFAB MI DU 4/8 UNIT |
| 8/10 Traps | Specify Three | MAG-MIFAB MI DU 8/10 UNIT |



5 Willsmore Street, (PO Box 718) Williamstown Victoria 3016

T: (61 3) 9399 8444 F: (61 3) 9399 8446

E: sales@magriffith.com.au W: www.magriffith.com.au



5 Willsmore Street, (PO Box 718) Williamstown Victoria 3016

T: (61 3) 9399 8444 F: (61 3) 9399 8446

E: sales@magriffith.com.au W: www.magriffith.com.au

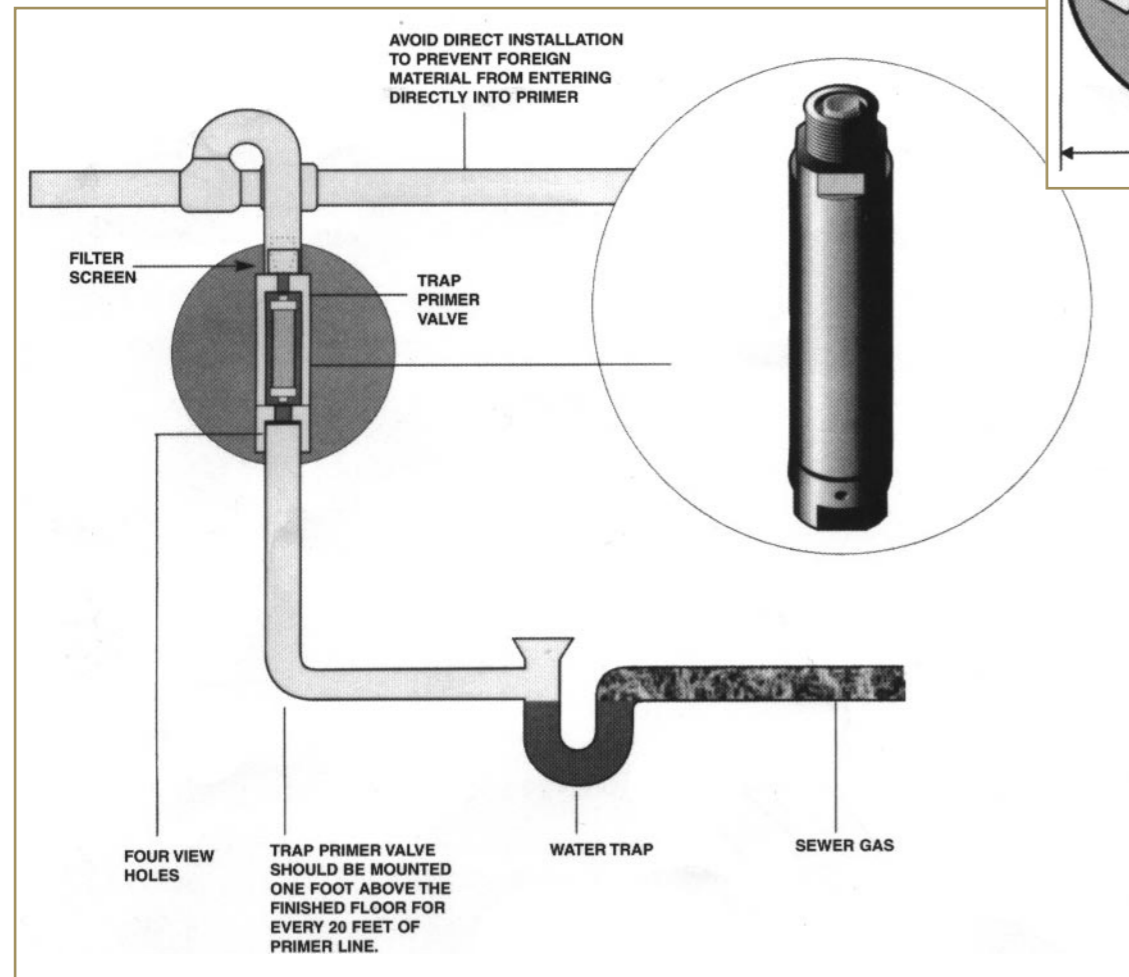
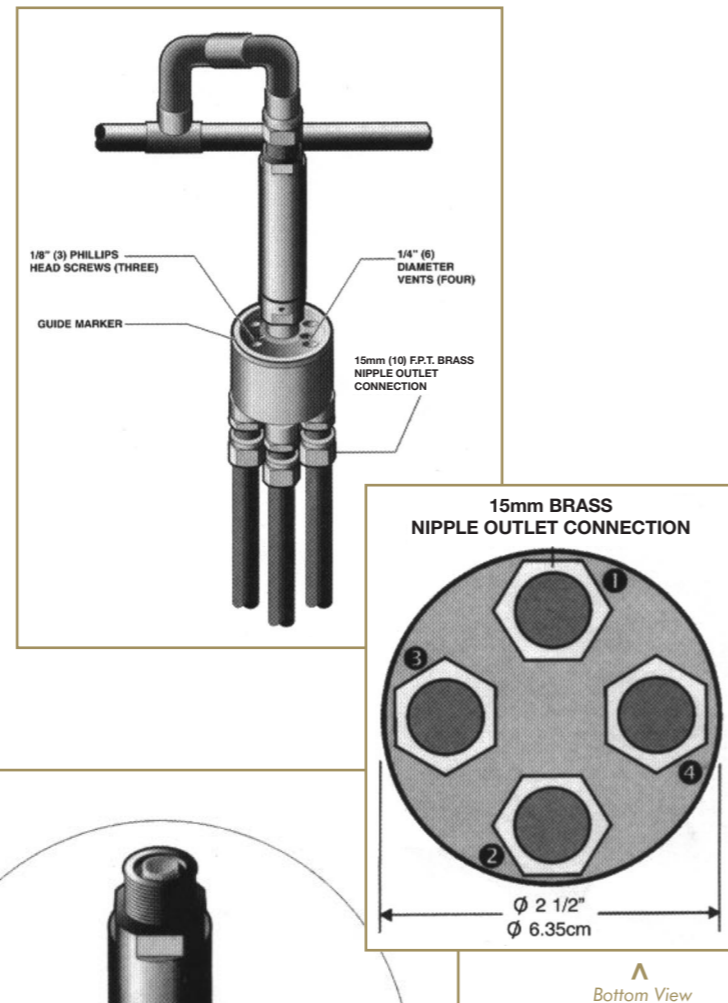
MAG-MIFAB

Trap Priming Distribution Units

“WHY MIFAB PRIMING VALVES ARE BETTER THAN THE COMPETITION”

The **MAG-MIFAB MI-DU** Distribution Unit is designed to receive a metered amount of water from the priming valve and distribute it equally to either 2-10 floor drain traps.

| No of Drains | Primer Model | Distribution Unit Required |
|--------------|--------------|----------------------------|
| 1 | MR-500 | NIL |
| 2-4 | MI-500 | MAG-MIFAB MI DU 2/4 |
| 4-8 | MI-500 | MAG-MIFAB MI DU 4/8 |
| 8/10 | MI-500 | MAG-MIFAB MI DU 8/10 |



MIFAB'S MRA500 – PRESSURE DROP TRAP SEAL PRIMERS

- A 21 kPa pressure drop** in the plumbing line is all that is needed to cause the MIFAB MRA500 primers to function. They will also function from 140 kPa in line pressure to 560 kPa in line pressure and deliver uniform amounts of water. The competitor's product requires a pressure drop of 35 kPa before it will function. Also, it will only work at an operating pressure range of 245 kPa to 525 kPa.
- No precharge is required.** MIFAB's primers can be disassembled in the field for cleaning and repair and then put back together. The competitor's product has an air pre-charge that once lost, renders their product useless.
- Replaceable sediment filter and servicing.** MIFAB's primers have a replaceable filter that can be replaced after wear and build up of debris. It is press fit into the trap primer. MIFAB's primers are the only priming valves that are serviceable. The competitor's product has a fixed filter within their body that cannot be replaced and are not serviceable. If their body is opened to examine the filter, the air pre-charge is lost, rendering their product useless.
- No adjustments are required** on any of the MIFAB primers. The cartridge tube that is inside each of the three MRA500 Series of primers has a partition molded in place. This partition determines the amount of water that is discharged from the primer. The competitor has two of their primers (very low and very high water delivery units) that require adjustment to deliver different discharge amounts. Their adjustment mechanism has proven to be unreliable.
- The cartridge tubes are inter-changeable** among the three MRA500 Series of primers. If a contractor installs the MRA500 and realizes later that more water delivery is needed, the MRA500 primer can be disassembled and the cartridge tube removed. A new cartridge tube with a partition molded into it to deliver a greater amount of water can then be inserted.
- The overall height** of the MIFAB MRA500 Series of primers is less than the competitor's. This allows for easier installation into the plumbing line in a retrofit situation.
- Four view holes** (air gaps) in the bottom of the MIFAB MRA500 Series of primers permits easy inspection of performance. The holes are across from each other, enabling light at the opposite end to illuminate the performance of the primer. The competitor's products have three view holes that do not line up opposite each other. This results in a dark viewing area and it is awkward to observe performance.