

MAG

Resilient Wedge Gate Valve Non-rising Stem 100mm Through 250mm OS&Y

**SUITABLE FOR
FIRE AND GENERAL PLUMBING**

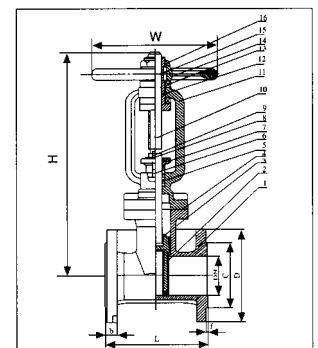
MAIN FEATURES

**NON-RISING STEM 100mm THROUGH 250mm OS&Y
Resilient Wedge Gate Valve**



MATERIAL OF MAIN PARTS

1	Valve body	Ductile iron	ASTM A536 Gr.65-45-10
2	Resilient wedge	Ductile iron, rubber coated	ASTM A536 Gr.65-45-10
3	Wedge nut	Cast brass	ASTM B584
4	Seal ring	Rubber NBR, steel, zinc plated	ASTM D2000
5	Packing	Graphite	
6	T-bolt	Carbon steel	ASTM A307/A563
7	Bonnet	Ductile iron	ASTM A536 Gr.65-45-10
8	Washer	Carbon steel	ASTM A307/A563
9	Nut	Carbon steel	ASTM A307/A563
10	Stem	Stainless steel or bronze	ASTM A304
11	York	Ductile iron	ASTM A536 Gr.65-45-10
12	Nut	Cast brass	ASTM B584
13	Bearing		
14	Hand wheel	Ductile iron	ASTM A536 Gr.65-45-10
15	Flat key	Steel	ASTM A307/A563
16	Lock nut	Steel	ASTM A307/A563



MAIN DIMENSIONS

DN	PN	L	C	D	H	f	b	n-d
100mm	16	229	170	229	490	250	22	8-22
150mm	16	267	218	279	590	330	24	8-22
200mm	16	292	275	343	650	350	26	8-22
250mm	16	330	335	406	720	450	28	12-25