

# MAG

## Resilient Wedge Gate Valve Non-rising Stem 65mm Through 250mm

**SUITABLE FOR  
GENERAL PLUMBING**

### MAIN FEATURES

#### NON-RISING STEM 65mm THROUGH 250mm Resilient Wedge Gate Valve

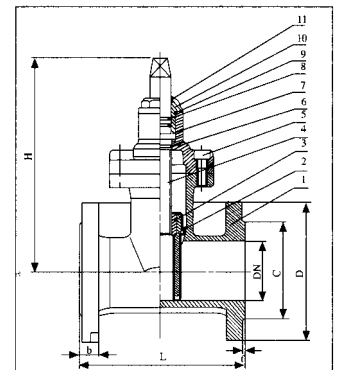
##### Description:

1. Ductile iron construction. The ductile iron body, bonnet and wedge provide strength and pressure that meets or exceeds the requirements of AWWA C515. Pressure rating is 250PSI, almost doubles that provided by cast iron.
2. Epoxy coating prior to assembly complies with AWWA C550 both on the interior as well as exterior.
3. Flange ends are in accordance with ANSI/AWWA C110/A21.10(ANSI B16.1, class 125) Threaded ends, mechanical joint ends etc. are available according to requirements from customer.
4. The wedge shall be fully encapsulated in rubber materials. The peel strength shall be not less than 75 pounds per inch.



### MATERIAL OF MAIN PARTS

|    |                 |                              |                        |
|----|-----------------|------------------------------|------------------------|
| 1  | Valve body      | Ductile iron                 | ASTM A536 Gr.65-45-10  |
| 2  | Resilient wedge | Ductile iron NBR/EPDM coated | ASTM A536 Gr.65-45-10  |
| 3  | Wedge nut       | Cast brass                   | ASTM B584              |
| 4  | Stem            | Stainless steel or bronze    | ASTM A304              |
| 5  | Bolt            | Steel, zinc plated           | ASTM A307              |
| 6  | Bonnet          | Ductile iron                 | ASTM A536 Gr. 65-45-10 |
| 7  | Washer          | Cast brass                   | ASTM B584              |
| 8  | O Ring          | Rubber NBR                   | ASTM D2000             |
| 9  | O Ring          | Rubber NBR                   | ASTM D2000             |
| 10 | Cover           | Ductile iron, zinc coated    | ASTM A536 Gr. 65-45-10 |
| 11 | Anti-Dust Ring  | Rubber NBR                   | ASTM D2000             |



### MAIN DIMENSIONS

| DN    | PN | L   | C   | D   | H   | f | b  | n-d   | Weight |
|-------|----|-----|-----|-----|-----|---|----|-------|--------|
| 65mm  | 16 | 190 | 120 | 178 | 280 | 3 | 18 | 4-19  | 19kg   |
| 80mm  | 16 | 203 | 132 | 191 | 300 | 3 | 19 | 4-19  | 25kg   |
| 100mm | 16 | 229 | 170 | 229 | 330 | 3 | 22 | 8-22  | 33kg   |
| 150mm | 16 | 267 | 218 | 279 | 410 | 3 | 24 | 8-22  | 58kg   |
| 200mm | 16 | 292 | 275 | 343 | 470 | 3 | 26 | 8-22  | 89kg   |
| 250mm | 16 | 330 | 335 | 406 | 560 | 4 | 28 | 12-25 | 142kg  |