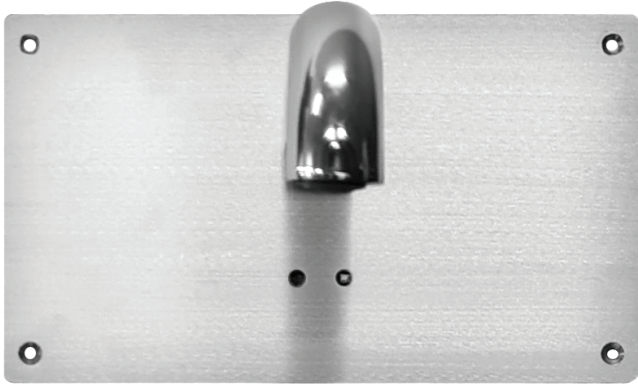
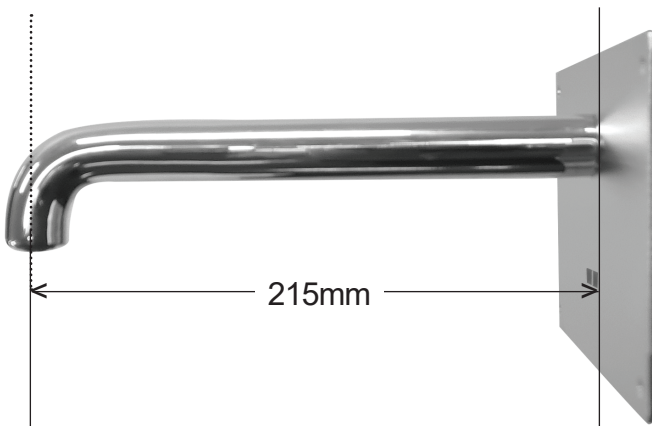


MAG Electronic Handsfree Sensor Tap with Stainless Steel Sensor Plate Wall Mounted



Product Code: 24002



**For all other spout size requirements,
please speak to us for more details.**

Description:

All in one wall mounted Electronic Handsfree Sensor Operated Tap in Stainless Steel Plate is ideal for Hospitals, Aged Care, Hotels, Schools, Stadiums, Restaurants and other environment, where hygiene is a must.

Features and Benefits:

- Wall mounted electronic auto tap
- Spout Length 215 mm / 160mm / 240mm
- Sensor operated – once the users hand is placed in the sensor's effective range, the Solenoid activates the water flow
- Multiple time cycle choices available, selectable at time of installation
- Max. water pressure 350 kPa
- Wels Approved Outlet – 5 Star Rating

Maintenance and Care:

- All surface should be cleaned with mild liquid detergent or soap and water.
- Do not use cream cleaners or citrus based cleaning products as they are abrasive.
- Use of unsuitable cleaning agents may damage the surface. Any damage caused this way will not be covered by warranty.