



Aqualisa Timed Flow Control Kit

Product Code: 905101



Kit Includes:

- 1x Pneumatic Valve
- 1x 3Metre Hose
- 1x Push Button Assy

Description:

This Aqualisa Timed Flow Control Kit is single temperature, air-operated solenoid pneumatic valve.

Its Runtime is adjustable by the facilities manager and not the end user. The valve can be remotely located up to 3.0M away from the pneumatic pushbutton.

Aqualisa valve kit is ideal for Aquatic Centres, Public Showers, Schools, Gymnasiums, Basins, Bubblers and Urinals

Features and Benefits:

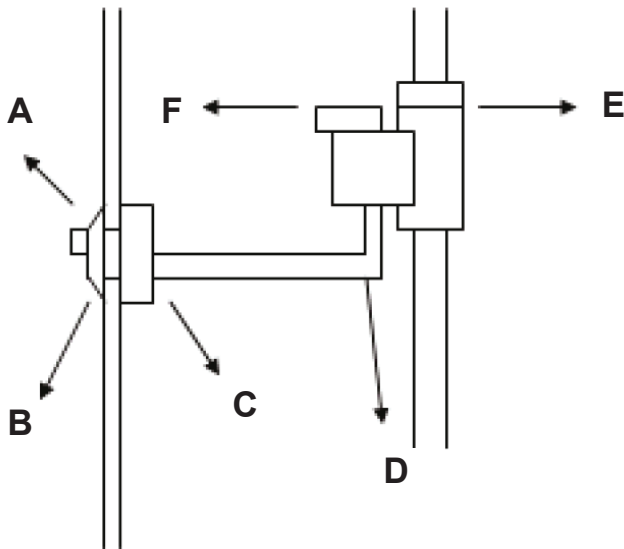
- Air operated solenoid valve
- Push button
- Runtime is adjustable
- Adjustable from 5 secs to 5 minutes
- Factory preset to 30 secs

Technical Details:

Inlet / Outlet	DN 15mm BSP
Recommended Water Pressure	350kPa
Maximum Water Pressure	500kPa
Maximum Water Temperature	50°C

*12 Month Warranty

Installation Guide - Fig.1



Aqualisa Valve is typically concealed behind the wall, but it can also be installed in the ceiling. When installing the valve, it should be installed in accordance with local codes and standards.

Make sure that the valve is protected to avoid freezing.

Panel Mount Installation:

1. Prepare the panel by cutting a hole approximately 42mm in diameter.

Mount the push button in the hole as per **Fig. 1**

2. Run the plastic air tube from the pneumatic valve position, allowing enough slack to facilitate servicing if required.
3. Fit the pneumatic valve into the pipe work, ensuring that the arrow on the brass body points in the direction of the flow.
4. Remove the cap nut and pass the air tube through the hole. Push the end of the air tube over the nozzle at the base of the valve. Replace the cap nut and tight.

A – Push Button Assy.

B – Rubber Washer

C – Back Nut

D – Air Tube

E – Pneumatic Valve

F – Adjusting Screw