

MAG

TMV Mixed and Cold Pipework Thermal Flush System



PRODUCT CODE

9230-8000 Series

9230-8004 (4 pipe illustrated)

MAG TMV Mixed and Cold Pipework Thermal Flush System



PRODUCT DESCRIPTION

Thermal flush system for **mixed and cold pipework**.

TMV box includes multiple isolating valves to deliver flushing operations and disinfection through both the cold and mixed water outlets to kill bacteria between the valves and outlets.

Patent pending thermal treatment system which disinfects outlets for both **mixed and cold water**-controlled flushing.

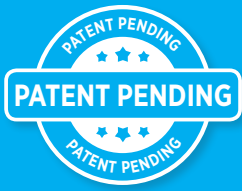
APPLICATIONS

Health and aged care facilities; commercial buildings; airports; hotels; educational facilities including schools and gymnasiums; sports facilities; correctional and prison buildings.

BENEFITS

- Legionella control Flush system which purges both mixed and cold pipework
- One stage Thermal Flush process to kill bacteria in both mixed and cold pipework
- More efficient and effective water hygiene management program
- Provided as an integrated TMV system with the FM Mattsson valves
- Can be retrofitted into an existing building or customised for refurbishments
- FM Mattsson Watermark and NSW Health Approved
- TMVs will function as normal whether the thermal flush is used or not used
- 5 year valve warranty
- System will be provided with operation instructions
- No changes are required to the service procedures of the FM Mattsson TMVs
- Australian made





FLUSHING INSTRUCTIONS AND HOW TO OPERATE

Key	
H	Hot Water
M	Mixed Water
C	Cold Water
↑	Direction of Flow
⌋	Check Valve
⊗	Isolation Valves
⊗	Bleeder Valves

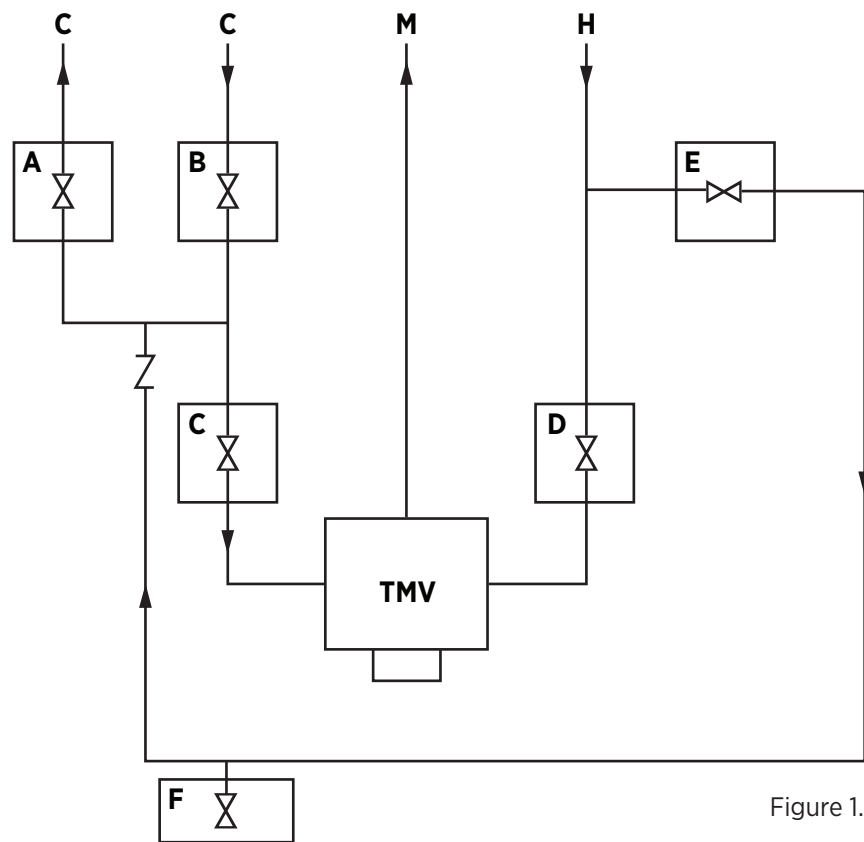


Figure 1.

Normal Mode	Disinfecting mode
<ul style="list-style-type: none"> Hot water flows through the open 'D' isolating valve feeding the Hot inlet to the Mattsson TMV. Cold water flows through the open 'B' and open 'C' isolating valves feeding the Cold inlet to the Mattsson TMV. Cold water also flows through the open 'A' isolating valve and feeds cold water to the outlets downstream ie basins/showers. The Mattsson TMV mixes the hot and cold water and feeds mixed water through the outlet downstream ie basins/showers. Isolating valve 'E' connected to the disinfection loop is closed. Bleeder valve 'F' closed. 	<ul style="list-style-type: none"> To disinfect the cold water inlet to the Mattsson TMV, close isolating valve 'A' and 'B'. Open isolating valve 'E' - Hot water is now thermal flushing the cold water line feeding the Mattsson TMV through the mixed water line to open outlets downstream. To disinfect the cold water outlet line, open isolating valve 'A'. Hot water is now thermal flushing the cold water by-pass feeding to open outlets downstream. Once the thermal flushing is completed, and to revert to normal mode, close isolating valve 'E'. Open isolating valve 'B'. Open 'F' bleeder valve to ensure looped pipework is drained out.

Thermal Flushing Safety

Only authorised staff and Licensed or Registered Plumbing Practitioners are to conduct Thermal Flush Disinfecting mode to prevent scalding during the process.

Ensure all outlets to be flushed are unoccupied during the process. Ensure full compliance in accordance with all relevant applicable Codes and standards.

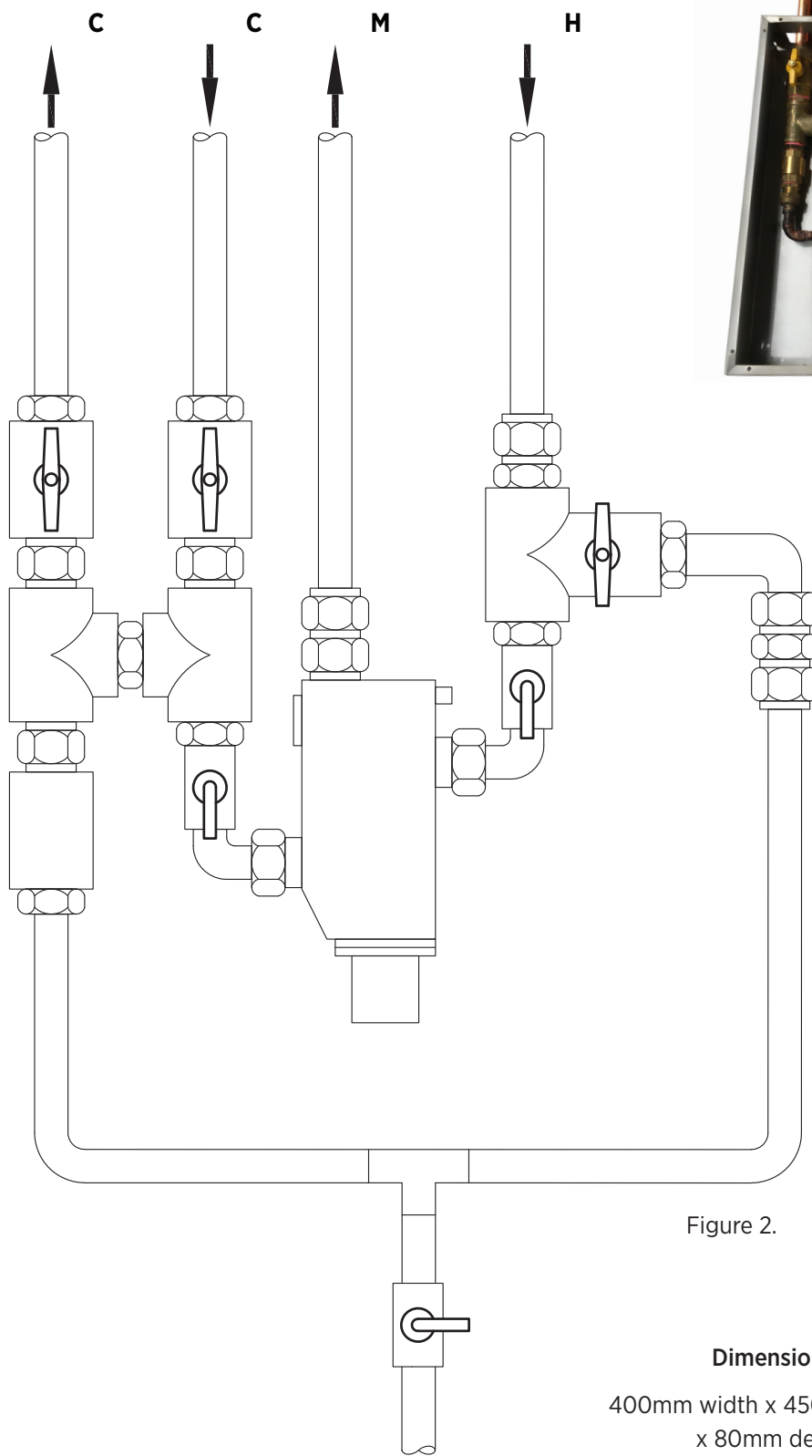


Figure 2.

Dimensions

400mm width x 450mm height
x 80mm depth