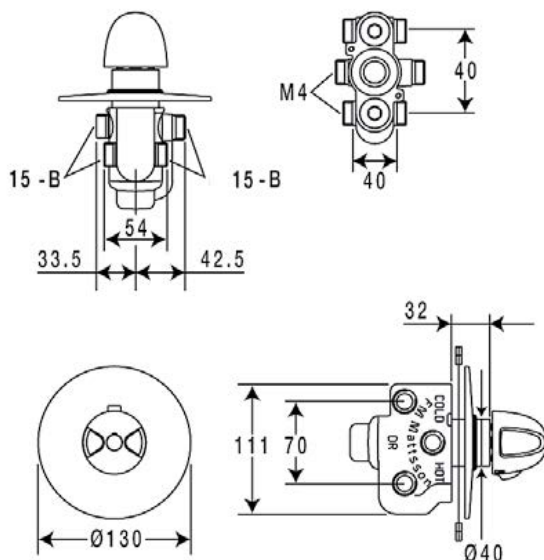


# 9219 Pressure Balanced Thermostatic Bath or Shower Mixer With Adjustable Temperature (without flow control)



9219 PBT Bath or Shower Mixer with adjustable temperature  
(without flow control)



Flow Table

Pressure (kPa)	Flow (l/min)
100	17
200	24
300	30
400	34.5
500	39
600	42.5

## BENEFITS

- FM Mattsson unique valve technology is the ONLY valve on the market that can cope with sudden pressure peaks and fluctuating temperatures.
- Minimum flow rate as low as 1L per minute.
- Pressure Balancing Piston ensures accurate constant temperature within +/- 1°C no matter what happens in the pipework.
- “Built-in” Pressure Balancing Piston function also provides additional safety against scalding.
- Thermostatic temperature control and pressure balancing control all in one simple cartridge design.
- Exceptional safety, performance and superior quality to all other brands.

## APPLICATION

Suitable for domestic bath or shower installations, hair dressing salons, food processing, hydrotherapy facilities, disabled and special care facilities, and other installations requiring a constant temperature. Adjustable temperature control to deliver constant temperature within +/- 1°C.

## SPECIFICATIONS / INSTALLATION

- Supplied with brackets for concealed installation.
- Comes with dual G1/2” inlets and outlets. Wall plate 130mm diameter.
- Unit must have flow control devices fitted between it and each outlet.
- Safety lock feature prevents unintentional temperature changes.
- Simple cartridge design - easy to maintain.
- Factory pre-set to 38°C (can be re-calibrated by licensed plumber).
- Operates from Min 50kPa to Max 1000kPa. Recommended working pressure 100kPa to 500kPa.
- 5 year warranty on cartridge.
- Made in Sweden.

**COLOURS** Chrome.

**PRODUCT CODE** 9219-7070



WaterMark

Licence No: WM-1186

