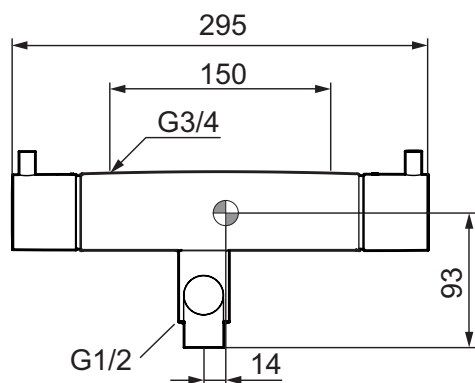


9690 Pressure Balanced Thermostatic Shower Mixer with diverter Garda Range

FM Mattsson
- Different on the inside



9690 Pressure Balanced Thermostatic Shower Mixer
with diverter - Garda Range



Flow Table

Pressure (kPa)	Flow (l/min)
100	14
200	20
300	24
400	27
500	31
600	34

BENEFITS

- FM Mattsson unique valve technology is the ONLY valve on the market that can cope with sudden pressure peaks and fluctuating temperatures.
- Minimum flow rate as low as 1L per minute.
- Pressure Balancing Piston ensures accurate constant temperature within +/- 1°C no matter what happens in the pipework.
- “Built-in” Pressure Balancing Piston function also provides additional safety against scalding.
- Thermostatic temperature control and pressure balancing control all in one simple cartridge design.
- Exceptional safety, performance and superior quality to all other brands.

APPLICATION

Suitable for domestic bathrooms, hair dressing salons, food processing, hydrotherapy facilities, disabled and special care facilities, and other installations where a constant temperature is required.

Exposed shower mixer with diverter/swivel spout. Comes with flow control and temperature control to deliver perfectly constant temperature within +/- 1°C.

SPECIFICATIONS / INSTALLATION

- Shower mixer comes with 15mm BSP hand shower connection.
- Valve fitted with 20mm BSP connection nuts and requires pipework to be set at 150-153 c/c.
- Safety lock feature prevents unintentional temperature changes.
- Comes with check valves and line strainers.
- Simple cartridge design - easy to maintain.
- Factory pre-set to 38°C (can be re-calibrated by licensed plumber).
- Operates from Min 50kPa to Max 1000kPa. Recommended working pressure 100kPa to 500kPa.
- 5 year warranty on cartridge.
- Made in Sweden.

COLOURS Chrome.

PRODUCT CODE 9690-7070



WaterMark

Licence No: WM-1186



www.magriffith.com.au
T (03) 9399 8444 F (03) 9399 8446 E sales@magspp.com.au