

Model

WETS 2052.1101-1.6/1.1 ECOS® DF

Electronic HET Dual Flush Flushometer and HET Dual Flush Wall Hung Water Closet

DESCRIPTION

Complete HET system with exposed, sensor activated, Sloan ECOS® electronic Dual-Flush Flushometer and vitreous china Dual Flush wall hung fixture.

Flush Cycle

Model WETS 2052.1101-1.6/1.1 ECOS®
(Full Flush 1.6 gpf/6.0 Lpf,
Reduced Flush 1.1 gpf/4.2 Lpf)

Code: 20521101



Meets the American Disabilities Guidelines and ANSI A117.1 requirements when installed according to these requirements.

NOTE:

- Plumbing System Requirements
- Minimum **Flowing** Pressure: 25 PSI
 - Minimum Flow Rate: 18 GPM
 - Maximum Static Pressure: 80 PSI

SPECIFICATIONS

Quiet, exposed, diaphragm type, chrome plated closet Flushometer for either left or right hand supply with the following features:

Dual Flush Flushometer

- PERMEX® Synthetic Rubber Diaphragm with Dual Filtered Fixed Bypass
- Flex Tube Diaphragm designed for improved life and reduced maintenance
- If the user is present for less than one minute and leaves the sensing zone or chooses the small override button, a reduced flush initiates (1.1 gpf/ 4.2 Lpf) eliminating liquid and paper waste, saving 1/2 gallon of water
- If the user is present for greater than one minute and leaves the zone or chooses the large override button, the full flush initiates (1.6 gpf/6.0 Lpf) eliminating solid waste and paper
- ADA Compliant Sloan ECOS® Battery Powered Infrared Sensor for automatic “No Hands” operation
- Infrared Sensor with Multiple-focused, Lobular Sensing Fields for high and low target detection
- Engineered Metal Cover with replaceable Lens Window
- Courtesy Flush™ Override Button
- Four (4) Size AA Batteries factory installed
- “Low Battery” Flashing LED and Initial Set-up Range Indicator Light (first 10 minutes)
- Infrared Sensor Range Adjustment Screw
- 1” I.P.S. Screwdriver Bak-Chek® Angle Stop
- Adjustable Tailpiece
- High Back Pressure Vacuum Breaker Flush Connection with One-piece Bottom Hex Coupling Nut
- Spud Coupling and Flange for 1-1/2” Top Spud
- Sweat Solder Adapter with Cover Tube and Cast Wall Flange with Set Screw
- High copper, low zinc brass castings for dezincification resistance
- Fixed Metering Bypass and no external volume adjustment to ensure water conservation
- Flush Accuracy Controlled by CID® Technology
- Diaphragm, Stop Seat and Vacuum Breaker to be molded from PERMEX® rubber compound for chloramine resistance
- Valve Body, Tailpiece and Control Stop shall be in conformance with ASTM Alloy Classification for Semi-Red Brass. Valve shall be in compliance with the applicable sections of ASSE 1037. Installation conforms to ADA requirements.
- Patented D598,976

SPECIFICATIONS (CONTINUED)

Dual Flush Fixture

- Wall hung vitreous china dual flush elongated bowl
- Siphon jet flushing action
- 1-1/2” I.P.S. top spud inlet
- 2 1/8” fully glazed trapway diameter
- Integral flushing rim
- Water spot area 9 1/2” x 8 1/4”
- Mounting hardware, carrier and toilet seat not included
- Compatible with toilet seat models: Bemis 1955CT & Bemis 2155CT
- Water closet shall be in compliance to the applicable sections of ASME A112.19.2/CSA B45.1
- Compliant with Buy American Act when purchased as a combination

FEATURES

Automatic

The Flushometer operates by means of an infrared sensor that adapts to its surroundings. Once the user enters the sensor’s effective range and then steps away, the Flushometer Solenoid initiates the flushing cycle to flush the fixture.

Manual

Sloan ECOS® Electronic Dual Flush Flushometers include a split-button design for manual use. The reduced flush is controlled by the small button and the full flush is controlled by the large button. Instructional graphics show a reduced flush is for liquid waste and a full flush is for solid waste.

Hygienic

User makes no physical contact with the Flushometer surface.

Economical

Automatic operation provides water usage savings over other flushing devices. Reduces maintenance and operation costs.

Practical

Solid state electronic circuitry assures years of dependable, trouble-free operation.

Warranty

3 year (limited)



SLOAN

Sloan Valve Company
10500 Seymour Avenue
Franklin Park, IL 60131
Phone: 1-800-9-VALVE-9 (982-5839)
or 1-847-671-4300
Fax: 1-800-447-8329 or 1-847-671-4380
www.sloanvalve.com

Copyright © 2013 Sloan Valve Company
WETS-2052.1101 09-13

This space for Architect/Engineer approval	
Job Name	Date
Model Specified	Quantity
Variations Specified	
Customer/Wholesaler	
Contractor	
Architect	

Model
WETS 2052.1101-1.6/1.1 ECOS® DF
Electronic HET Dual Flush Flushometer and HET Dual Flush Wall Hung Water Closet

DESCRIPTION

Complete HET system with exposed, sensor activated, Sloan ECOS® electronic Dual-Flush Flushometer and vitreous china Dual Flush wall hung fixture.

Flush Cycle

Model WETS 2052.1101-1.6/1.1 ECOS®
(Full Flush 1.6 gpf/6.0 Lpf,
Reduced Flush 1.1 gpf/4.2 Lpf)

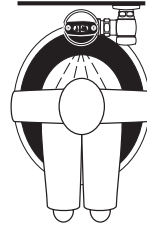
ELECTRICAL SPECIFICATIONS

- **Control Circuit**
Solid State
6 VDC Input
8 Second Arming Delay
3 Second Flush Delay
- **Sloan ECOS® Dual Flush Sensor Type**
Active Infrared
- **Sloan ECOS® Dual Flush Sensor Range**
Nominal 22" - 42" (559 mm - 1067 mm),
Adjustable ± 8" (203 mm)
- **Battery Type**
(4) AA Alkaline
- **Battery Life**
3 Years @ 4,000 Flushes/Month
- **Indicator Lights**
Range Adjustment/Low Battery
- **Valve Operating Pressure (Flowing)**
15 - 100 psi (104 - 689 kPa)
- **Sentinel Flush**
Once Every 72 Hours After the Last Flush

OPERATION



1. A continuous, invisible light beam is emitted from the Sloan ECOS® Dual Flush Sensor.

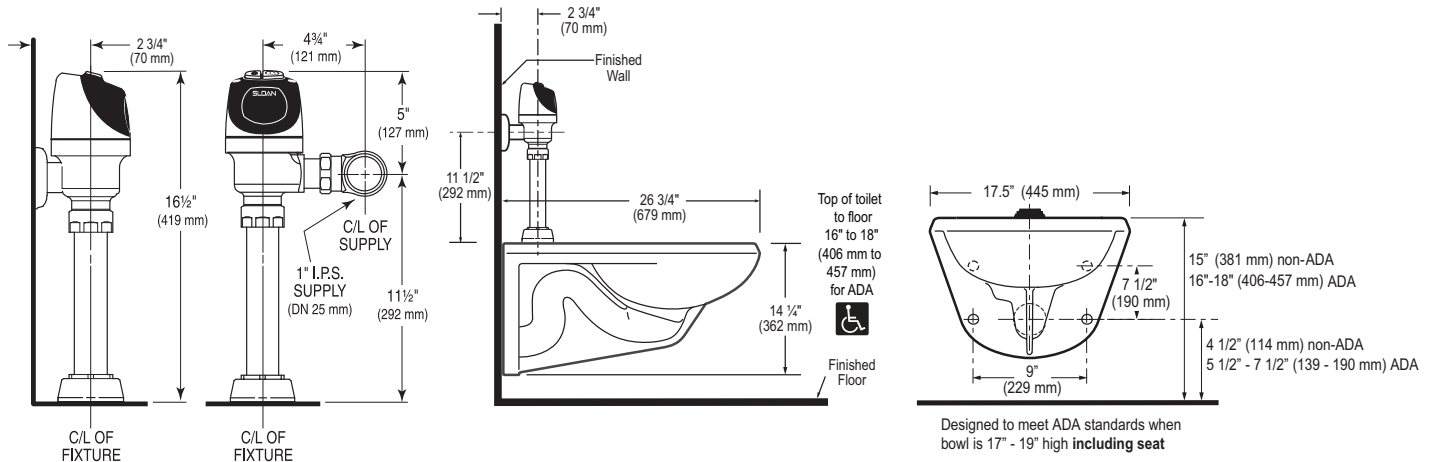


2. As the user enters the beam's effective range, 22 to 42 inches (559 mm to 1067 mm), the beam is reflected into the Scanner Window to activate the Output Circuit. Once activated, the Output Circuit continues in a "hold" mode for as long as the user remains within the effective range of the sensor. If the user stays longer than 65 seconds, a full flush will automatically initiate when the user leaves.



3. Once a user is detected, if the user leaves in 65 seconds or less, a reduced flush will automatically initiate. The circuit automatically resets and is ready for the next user.

DIMENSIONS/ROUGH-IN



NOTE: All vitreous china dimensions shown in these drawings are nominal. Dimensions can vary within the tolerances established in the governing ASME A112.19.2/CSA B45.1 standard. Please take this into consideration when planning rough-in and plumbing layouts.

SLOAN VALVE COMPANY • 10500 SEYMOUR AVENUE • FRANKLIN PARK, IL 60131

Phone: 1-800-9-VALVE-9 or 1-847-671-4300 • Fax: 1-800-447-8329 or 1-847-671-4380 • www.sloanvalve.com