

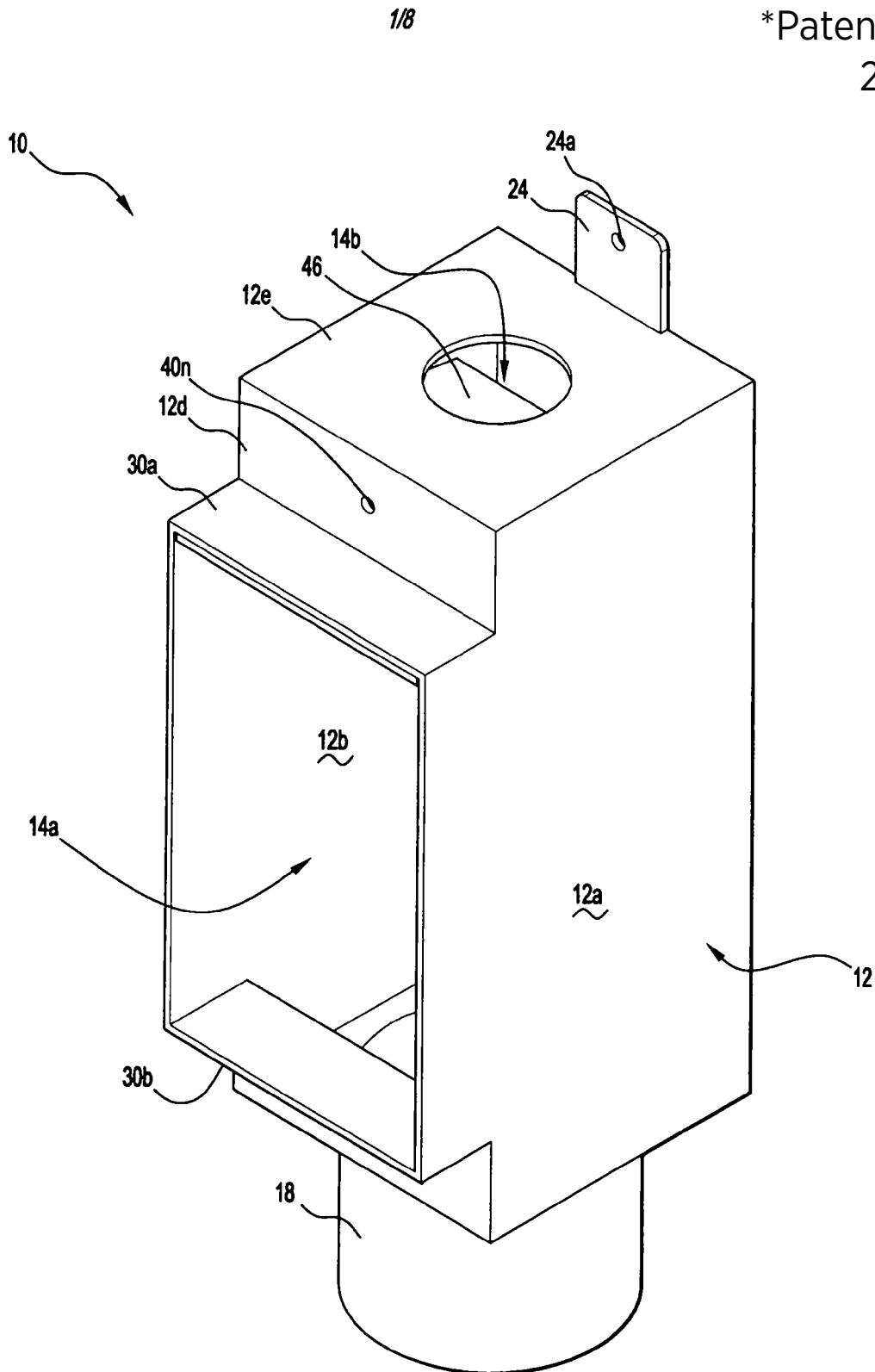
MAG In Wall Tundish

Patented Body Spacer and internal Baffle Plate (deflector)*

*Patent Number:
2012101742

26 Nov 2012

FIG 1.



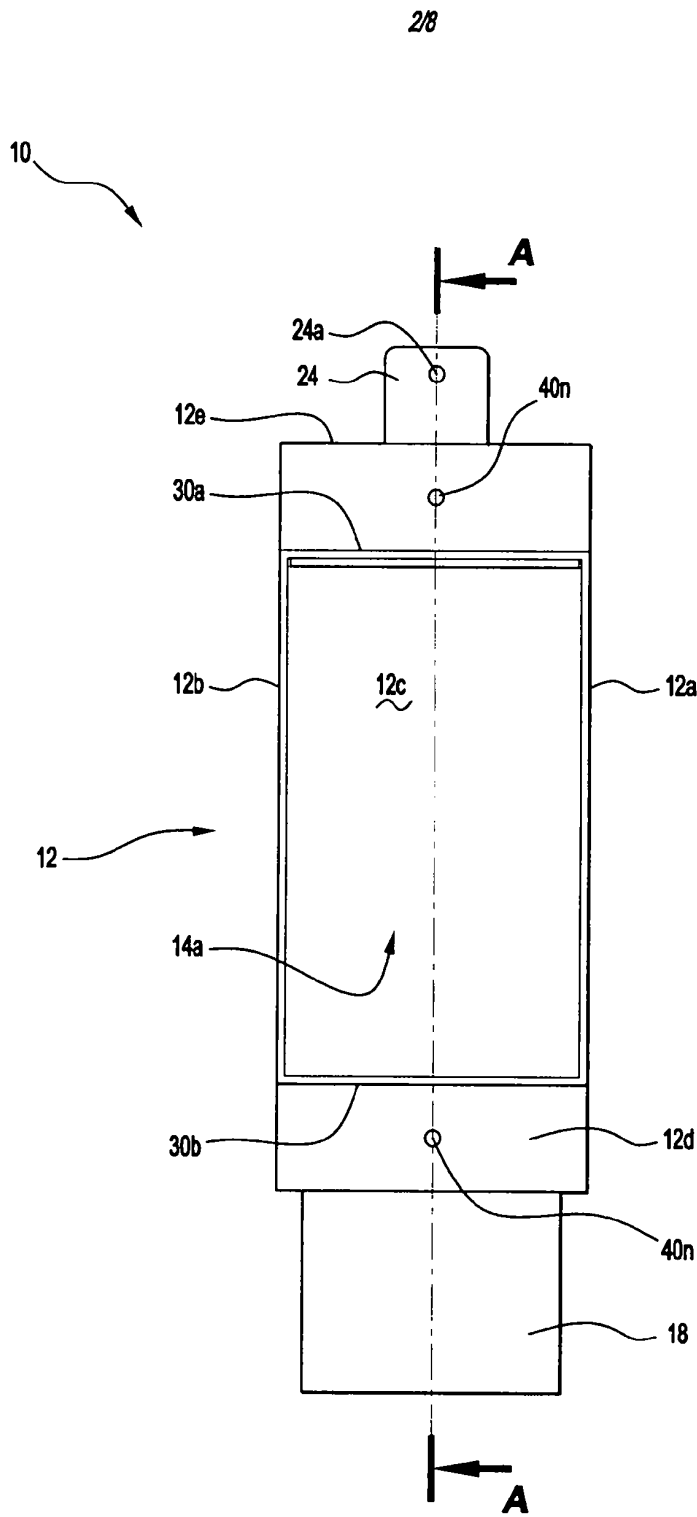
MAG In Wall Tundish

Patented Body Spacer and internal Baffle Plate (deflector)*

*Patent Number:
2012101742

26 Nov 2012

FIG 2.



This data, for application number 2012101742, is current as of 2018-03-20 21:00 AEST

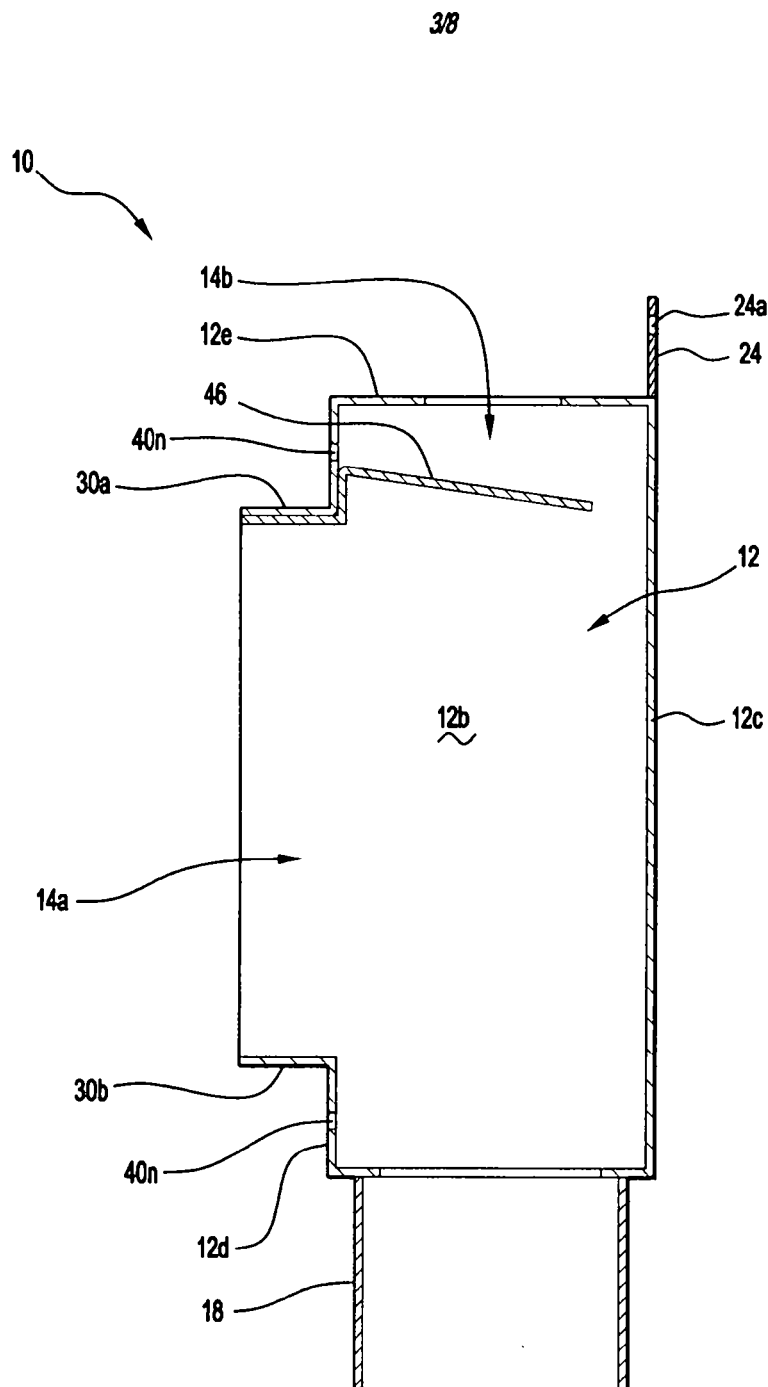
MAG In Wall Tundish

Patented Body Spacer and internal Baffle Plate (deflector)*

*Patent Number:
2012101742

26 Nov 2012

FIG 3.



This data, for application number 2012101742, is current as of 2018-03-20 21:00 AEST

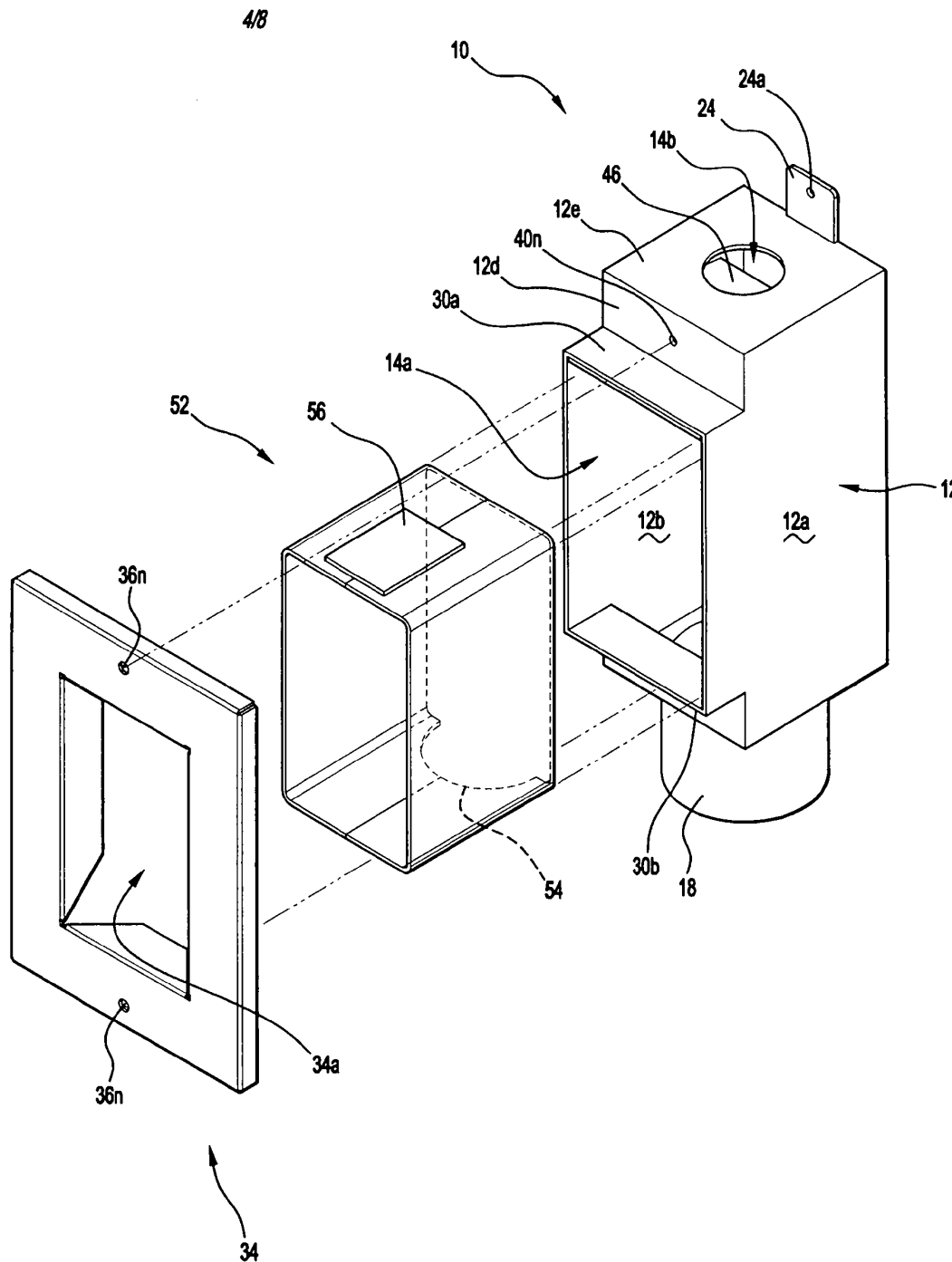
MAG In Wall Tundish

Patented Body Spacer and internal Baffle Plate (deflector)*

*Patent Number:
2012101742

26 Nov 2012

FIG 4.



This data, for application number 2012101742, is current as of 2018-03-20 21:00 AEST

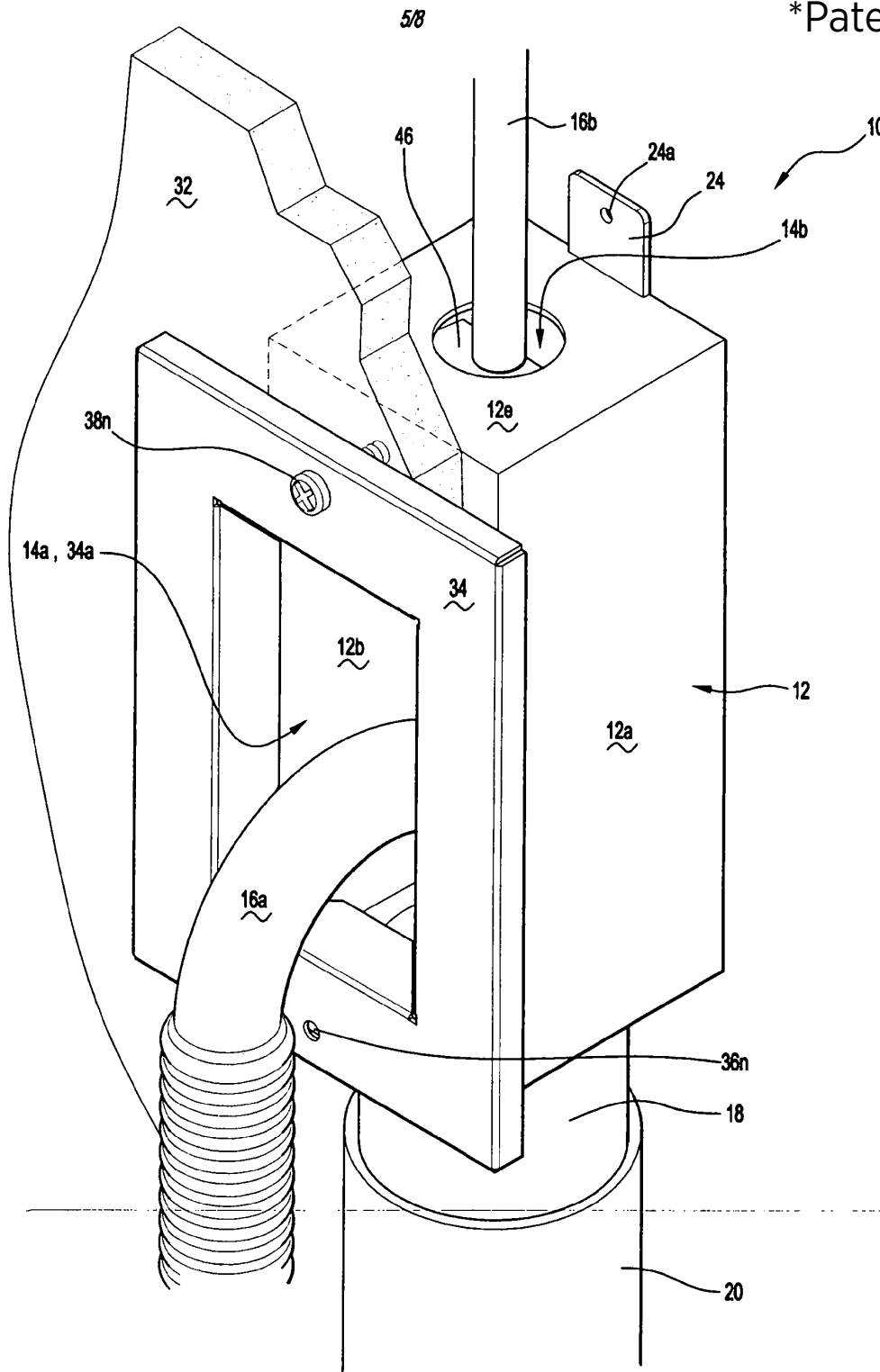
MAG In Wall Tundish

Patented Body Spacer and internal Baffle Plate (deflector)*

*Patent Number:
2012101742

26 Nov 2012

FIG 5.



This data, for application number 2012101742, is current as of 2018-03-20 21:00 AEST

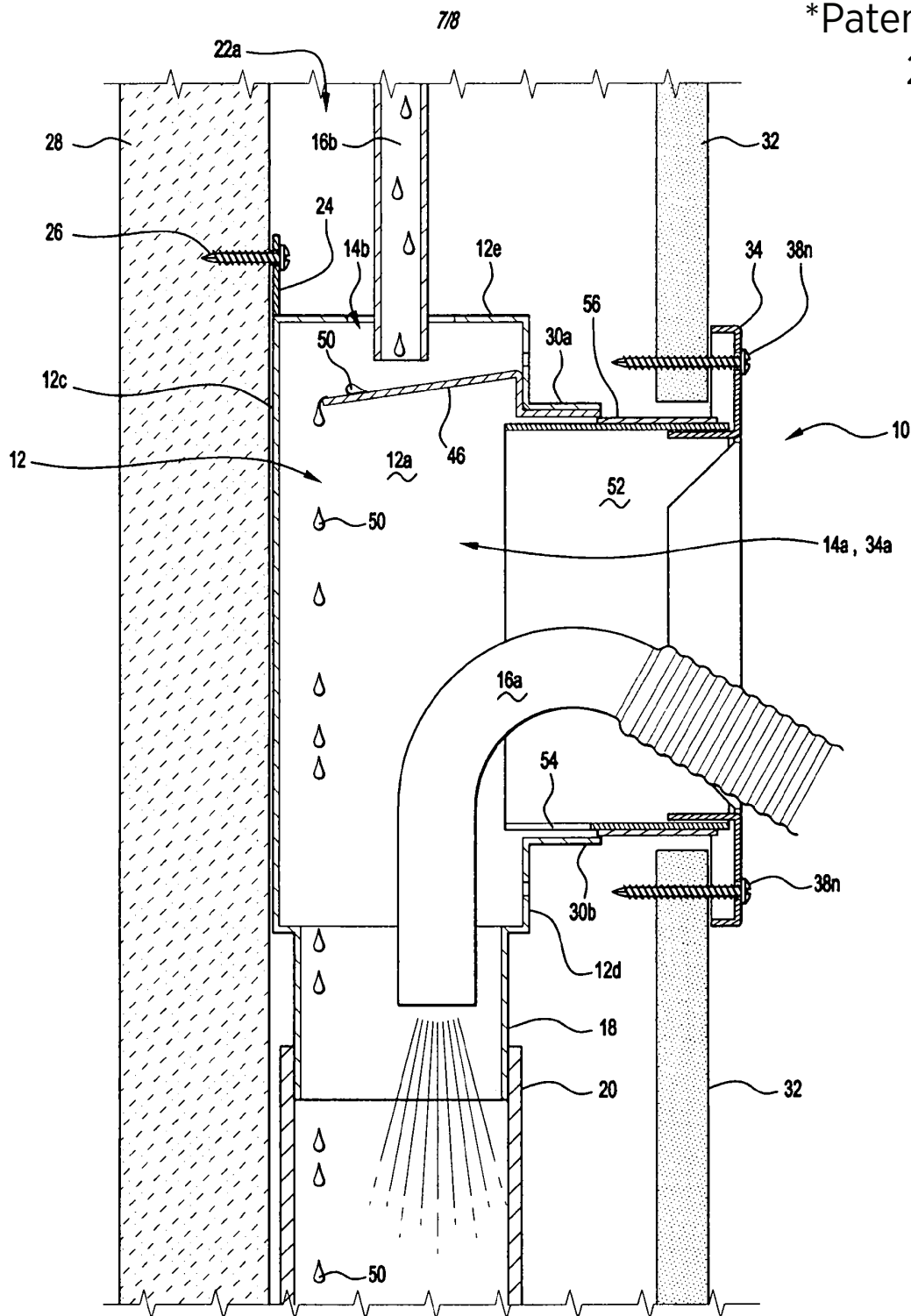
MAG In Wall Tundish

Patented Body Spacer and internal Baffle Plate (deflector)*

*Patent Number:
2012101742

26 Nov 2012

FIG 7.



This data, for application number 2012101742, is current as of 2018-03-20 21:00 AEST

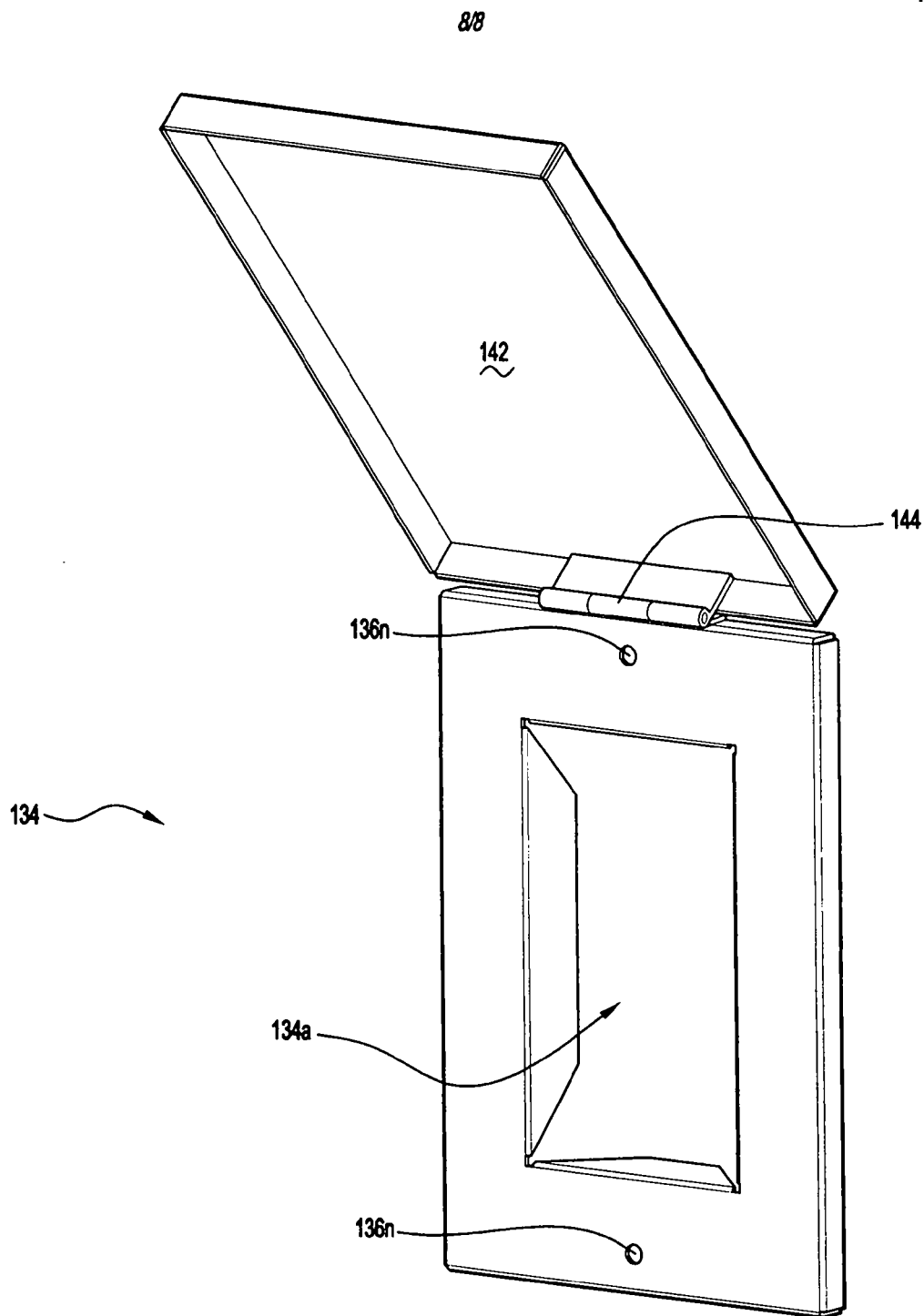
MAG In Wall Tundish

Patented Body Spacer and internal Baffle Plate (deflector)*

*Patent Number:
2012101742

26 Nov 2012

FIG 8.



This data, for application number 2012101742, is current as of 2018-03-20 21:00 AEST